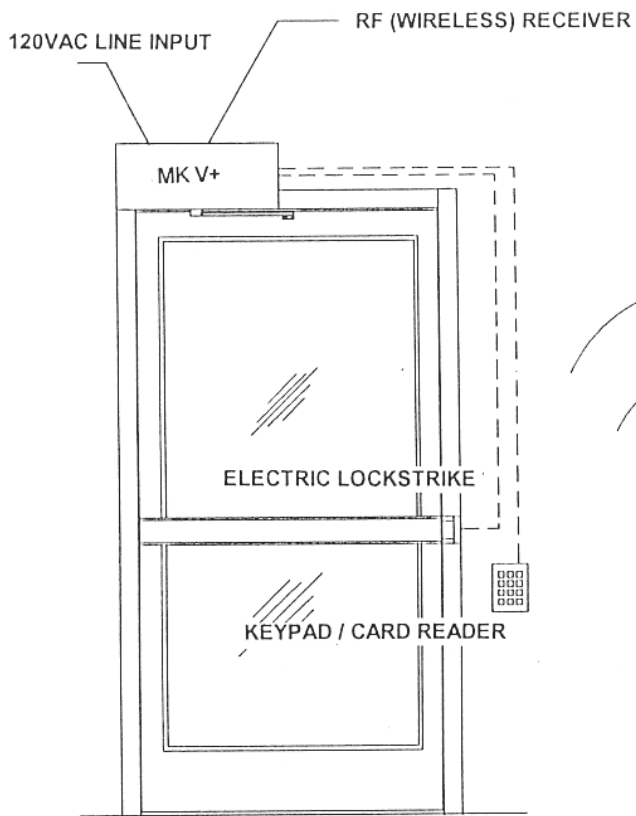
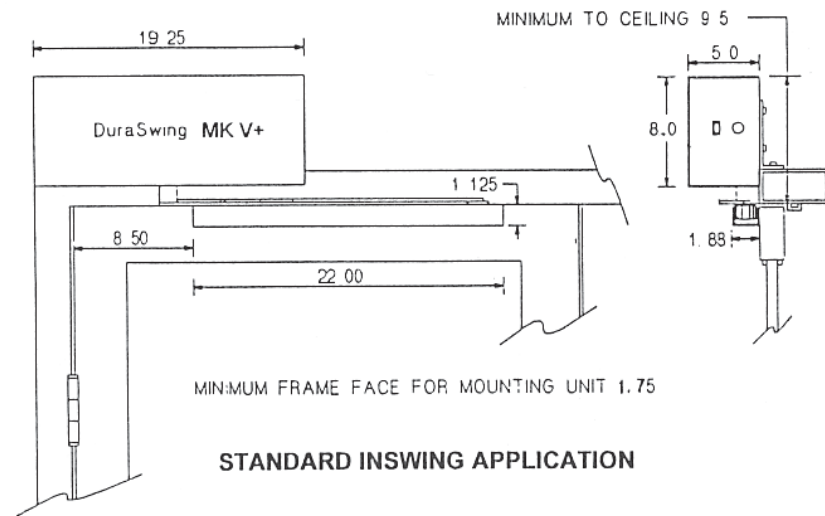
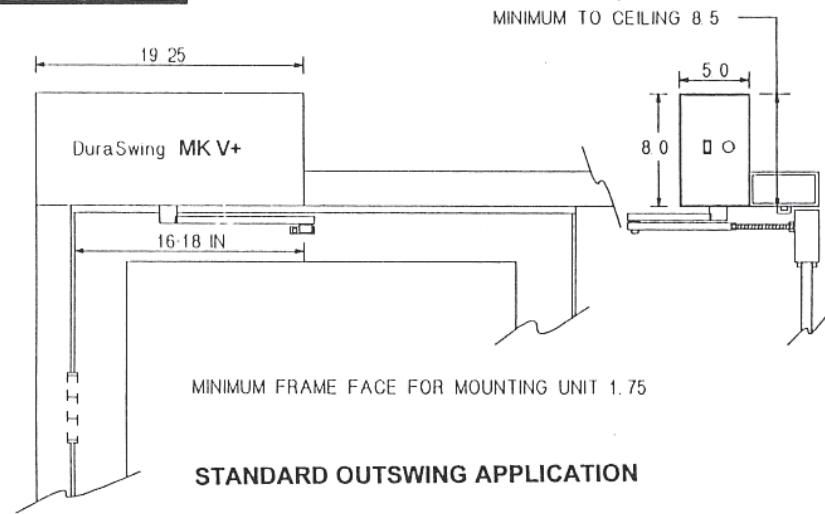


# DuraSwing™ MK V+



Typical controlled access entrance, with the DuraSwing™ as interface.  
 Wireless pushbutton operation (hand held or wall mount) standard.  
 Direct wired pushbuttons and fully automatic activation sensors available.



**DuraSwing™ MK V+ Swing Door Operator**

**Type:** Electromechanical open / hydraulic close

**Electrical :** 115VAC, 5A @ header, 3A nominal load  
 (Provided by electrical contractor)

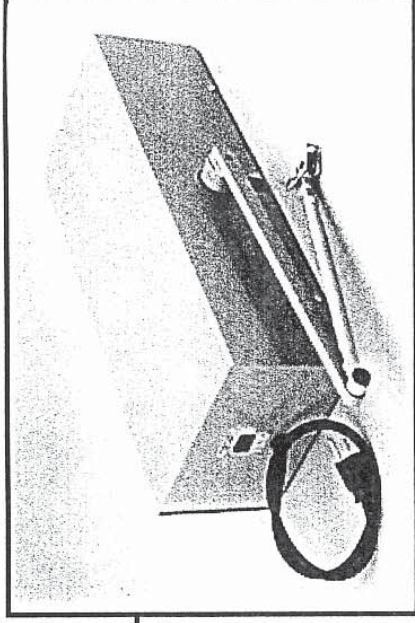
**Application notes:** Non-handed, header mount

High-traffic, full-time automatic or on-demand

**Features:** Access Control interface standard,  
 sensor ready, wireless (RF) ready. Inswing / outswing.

# DuraSwing® MK - V+

Door Operator – ADA Product



Full-Function, Low-Energy

High-Traffic Door Automation

Access Control Ready

## PREMIUM FEATURES:

- **Improved SafeTek® Controller Software** - Safety is of paramount importance to the pedestrian and also to the installer and building manager. Door Motion Technologies has developed and has employed obstruction sensing software for all its door operators since 1996. Using the technology developed for the DMT- DS series of power-open and power close operators for the elevator industry. **The MK V+ will reverse when obstructed, when opening the door. With the Power assisted close force option for latching doors, the MK V+ will also reopen if obstructed in the closing cycle.**
- **Manual Push-Button, Push & Go, Or Fully Automatic** - The operator can be used manually as a door with a closer attached, can be activated with wallmount or portable wireless push buttons, or sensors. The "push & go" no cost option triggers the operator when the door has been pushed slightly off the doorstop.
- **Adjustable Hold-Open** - A simple adjustment will set hold open time from 5 seconds to 45 seconds as needed.
- **Wireless Operation Ready** - Built-in RF receiver for use with DMT wireless wallmount push pads.
- **Security & Access Control Ready** - A complete "Form C" contact system, with ½ second delay and 24VDC power supply is built into each controller for easy interface with magnetic locks, electric lockstrikes and other security or fire safety equipment.
- **Field-Reversible Handing** – At times the customer will change the door that was originally to be automated. The DS-MK 5B is field re-handable in less than 30 minutes.
- **Inswing Or Outswing Operation** – Only requires switching actuator arm to roller-arm and track system.
- **Preset Opening Speed** – Door opening speed is set to correspond with ANSI A156.19 & BHMA codes. The operator motor is governed by a microprocessor which monitors door position. **Force varies automatically according to need, but speed remains constant.** Variations are available upon request.
- **Adjustable Opening & Closing Force** - Balancing the need for low (ADA) opening force requirements and the need to keep the door closed in the face of varying stacking pressures and other environmental variables has always been difficult. The DS-MK V+ has a 5 way adjustable internal hydraulic closer, able to provide closing forces equivalent to a #6 closer. This allows for the greatest in-field application flexibility. Back-check, back-check position, close speed, latch speed and spring tension adjustments available.
- **All Steel Construction** – Heavy gauge all-steel chassis and cover, with polyester powder- coated finish.
- **Does Not Require Added Safety Devices** – Full ANSI and BHMA compliance, plus SafeTek® features.
- **CSA & NRTL Certified** (Includes UL equivalence).



DOOR MOTION TECHNOLOGIES, INC.

6285 High Pointe Circle, Kalamazoo, MI 49024

PH: 800 291 1561

FX: 616 327 6158

website: doormotion.com

email: doormotion@aol.com



ADA